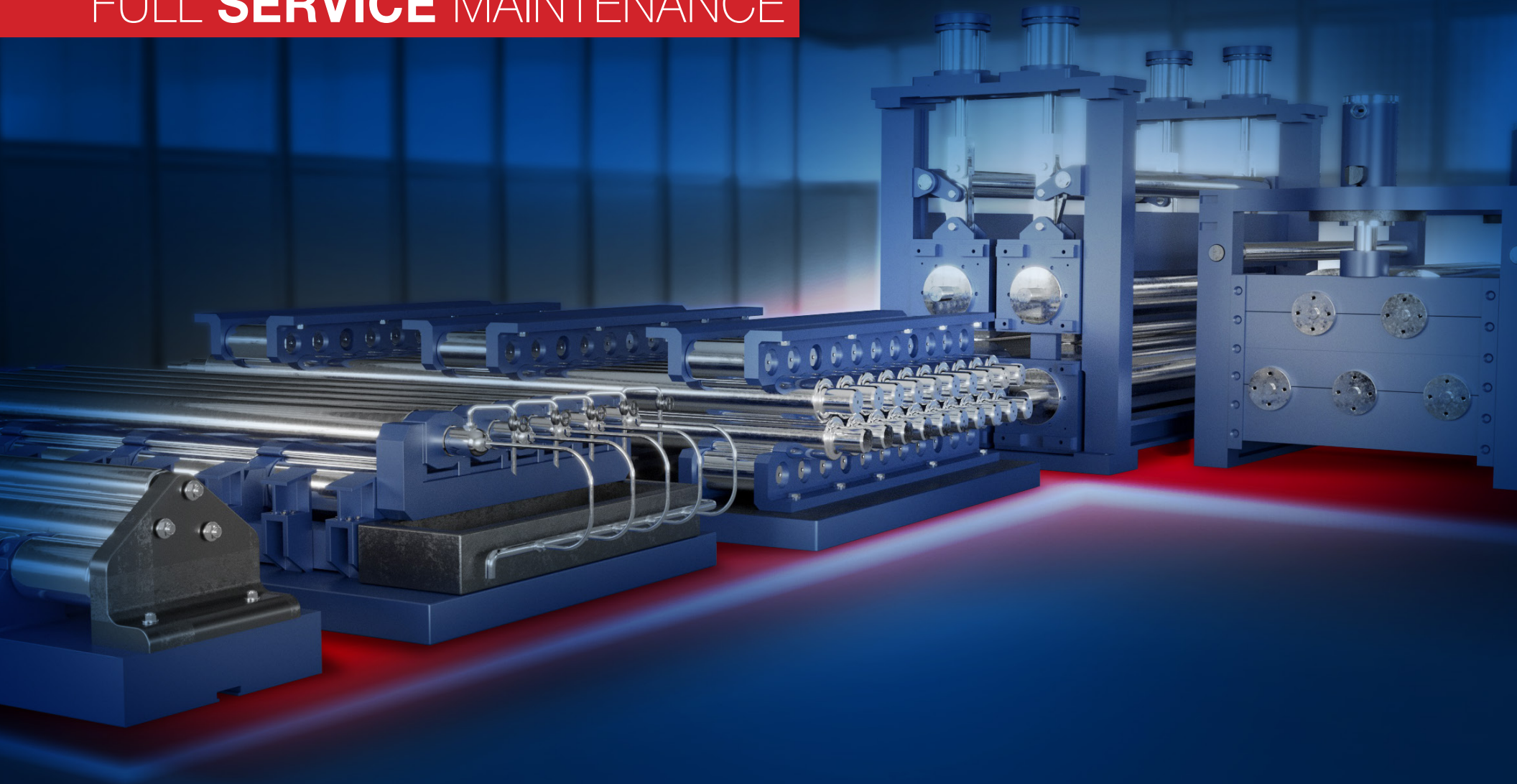


# STEEL & ALUMINUM MARKETS

## FULL SERVICE MAINTENANCE



**bsc** BEARING SERVICE COMPANY  
BEARING MANUFACTURING & REPAIR  
INDUSTRIAL DISTRIBUTION



# TOGETHER

TO PROVIDE  
**HIGHLY QUALIFIED SOLUTIONS**  
FOR STEEL&ALUMINUM MARKET

A longstanding strategic partnership,  
the result of sharing resources,  
knowledge and expertise,  
aimed at offering an increasingly efficient  
and competitive full-service.

**bsc** BEARING SERVICE COMPANY  
BEARING MANUFACTURING & REPAIR  
INDUSTRIAL DISTRIBUTION



[www.bearing-service-rolls.com](http://www.bearing-service-rolls.com)

# INDEX

---

BEARING SERVICE COMPANY	04
BEARING SERVICE COMPANY - COMESA - C.R.	07
COMESA HIGHLIGHTS	08
C.R. HIGHLIGHTS	09
TENSION LEVELER	10
SCALE BREAKER	11
LEVELER AND STRAIGHTENER	12
COLD PLATE LEVELER	13
HOT PLATE LEVELER	14
MC KAY PROCESSOR	15
COILS CONVEYOR	16
SINTERING PLANTS	17



# BEARING SERVICE COMPANY

BEARING MANUFACTURING & REPAIR  
INDUSTRIAL DISTRIBUTION

BEARING SERVICE COMPANY, founded in 1933, is a fully authorized industrial distributor with bearing manufacturing and repair operations based in Pittsburgh, PA..

For over 85 years, BEARING SERVICE COMPANY has utilized its manufacturing and distributor partnerships to pioneer solutions to the most demanding bearing and power transmission challenges, through new and innovative technologies.

We are a top tier national distributor with millions of dollars in inventory on the industries biggest brands in the bearing and power transmission industry.

Our manufacturing partners provide us with premium products at competitive prices, as well as industry leading field service, engineering, and customer service support.

We pride ourselves on the ability to offer customers cost savings by offering solutions to increase uptime and develop special pricing programs with our manufacturing partners.

We are a stocking distributor providing inventory and supply chain support for our thousands of customers across the US.



We tailor inventory specific to our customers needs utilizing computer aided inventory control.

Our growth and reputation for precision USA manufacturing is based upon an uncompromising dedication to quality control, coupled with modern equipment, top grade materials, performance-tested products and the work of our highly skilled technicians in our +88,000 sq. ft. manufacturing facility.

**BEARING SERVICE COMPANY is  
ISO 9001:2015 certified.**



**+85 YEARS OF SERVICE AND DEDICATION.  
FAMILY OWNED. FAMILY OPERATED. USA MADE.**



## OUR LOCATIONS

**Corporate Office Bearing  
Manufacturing & Repair Center  
Pittsburgh Service Center**  
630 Alpha Drive, RIDC Park  
Pittsburgh, PA 15238

**Cleveland Service Center**  
8800 Sweet Valley Drive  
Cleveland, OH 44125

**Canton Service Center**  
4120 Kevin Street  
North Canton, OH 44720

**Warren Service Center**  
121 Walnut Court SE  
Warren, OH 44483

**Griffith and Chicago  
Area Service Center**  
1951 North Griffith Boulevard  
Griffith, IN 46319

**Decatur Service Center**  
1317 Commerce Drive N.W.  
Decatur, AL 35603



We have invested in setting up a network of service/logistics and operational centers close to our clients, in order to optimize the entire maintenance and on-site assistance supply chain.

This way, we are able to guarantee timely and efficient service, minimizing machine downtime for our clients and improving their overall productivity with our products/services.

**INVENTORY MANAGEMENT  
EQUIPMENT REPAIR  
SERVICE ENGINEERING**

BSC has an unrivaled commitment to inventory specific to our customers needs. We offer computer aided inventory control tailored to fit your operational requirements company wide, or for specific applications. We offer plant surveys and track usages to minimize downtime.

BSC offers repair and remanufacturing on any size, any brand, any bearing type, for any application, saving you 30-70% on the cost of a new bearing used in your operations.

BSC application and service engineers offer assistance with technical and field service support.

**BEST SERVICES  
BEST RESOURCES  
BEST PEOPLE**

Our team is full of Industry experts with years of experience & knowledge. We have Engineers on staff that can assist with your Bearings & Power Transmission needs.

Our Service Engineers can help assist with installation, removal, training, damage analysis, etc...



**REDUCE  
YOUR LEAD TIMES**

Our manufacturing facility operates like a job shop, manufacturing specific to customers applications with low to medium production runs.

**REDUCE  
YOUR LEAD SPEND**

We strategically source materials and have minimized our manufacturing costs allowing us to offer the most competitive price in the industry.

**EXPERT  
MANUFACTURING**

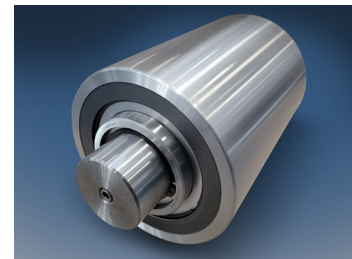
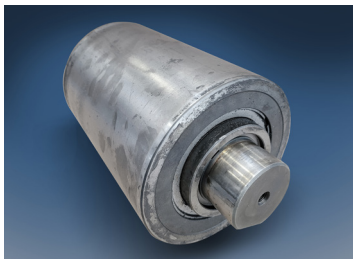
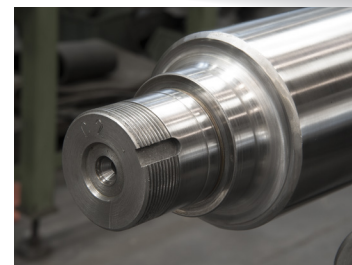
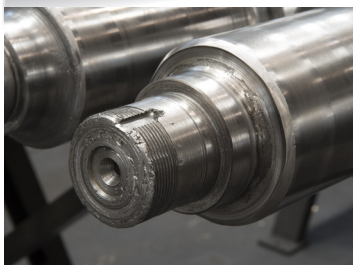
Modern equipment, top grade materials, performance-tested products, and the work of our highly skilled technicians.

**UNRIVALED  
CUSTOMER SERVICE & SUPPORT**

We offer technical assistance, bearing and rolls analysis, trouble shooting, and in field service engineering support.

# PREMIUM PRODUCTS

MAXIMUM LIFE & REDUCED DOWNTIME  
WE TAILOR MAKE **BEARINGS AND ROLLS** SPECIFIC TO YOUR APPLICATION



Comesa and C.R. Bearings are international leading companies in the project and production of work rolls and back-up bearings, respectively.

The synergy between BSC, Comesa and C.R. was born and develops from the revamping of the leveler, tension leveler, and straightener cassette.

We will work together to offer complete support for the steel and aluminum making industries, in order to guarantee the maximum lifetime, efficiency and productivity of machines themselves.

The service provided consists in:

- Analysis and definition of the intervention to be carried out.
- Replacement of worn-out products with new high-quality products.
- Eventual restoration of damaged/worn-out components.
- Assembling and functioning tests
- Alignment and calibration.

To the benefit of the customer.

COMESA is a company specialized in manufacturing steel rolls and wear parts according to drawings, with expert knowledge of heat-treatments and steel-working processes.

COMESA is part of an industrial holding owned by group ORIC, which handles administration and IT services.

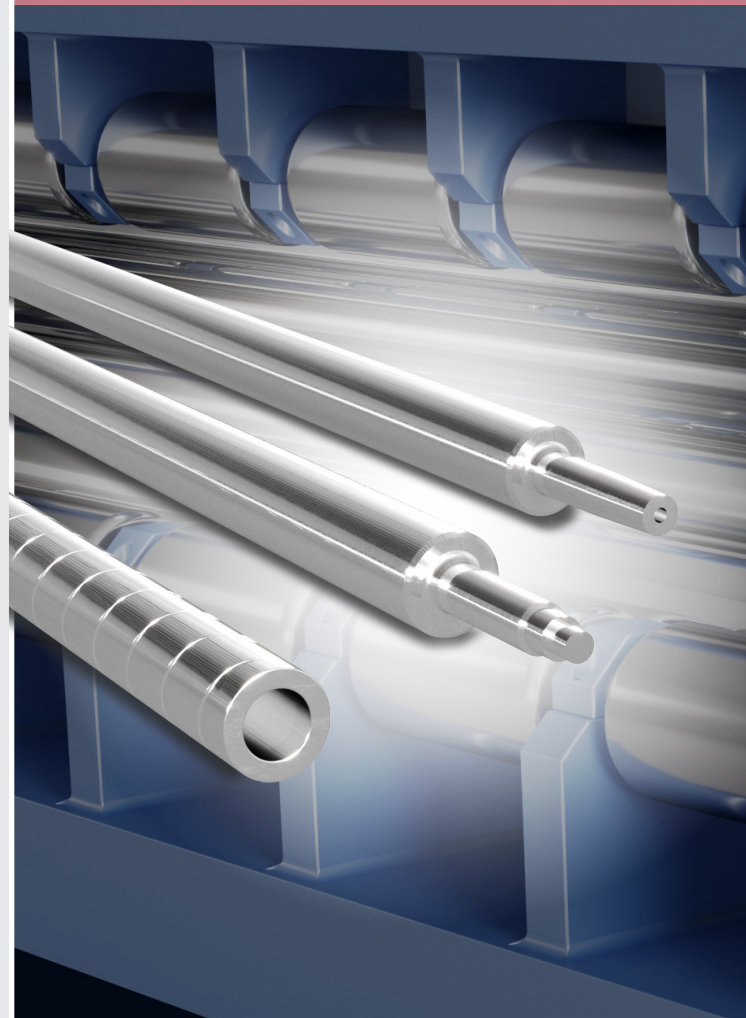
Among the main partners, a prominent role is played by FORGIA RAPIDA (ISO 9001 certified company), for the production of forged parts.

Thanks to the experience accumulated in over 50 years of presence in the market and to the quality of its products, COMESA has managed to consolidate itself as a supplier to the main manufacturers and users of metal working machines and plants in Italy, Europe and Worldwide.

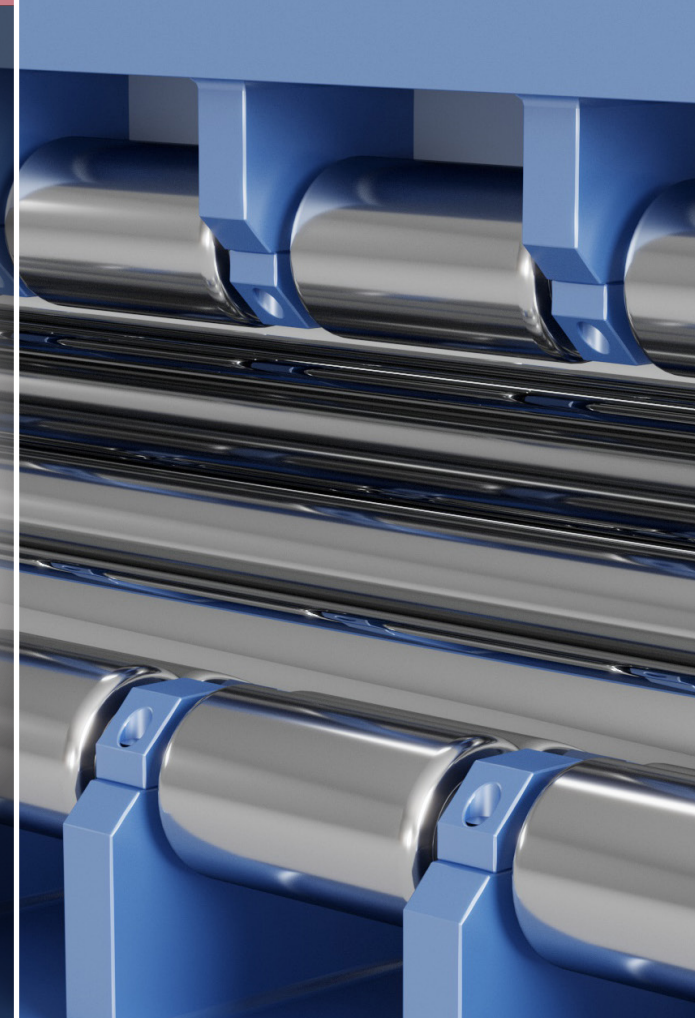
Our customer base falls into three main categories:

- Steel Works and Aluminum Mills;
- Metal working Service Centres;
- Bar Mills.

## WORK ROLLS



## TOGETHER





# BEARING SERVICE COMPANY

BEARING MANUFACTURING & REPAIR  
INDUSTRIAL DISTRIBUTION

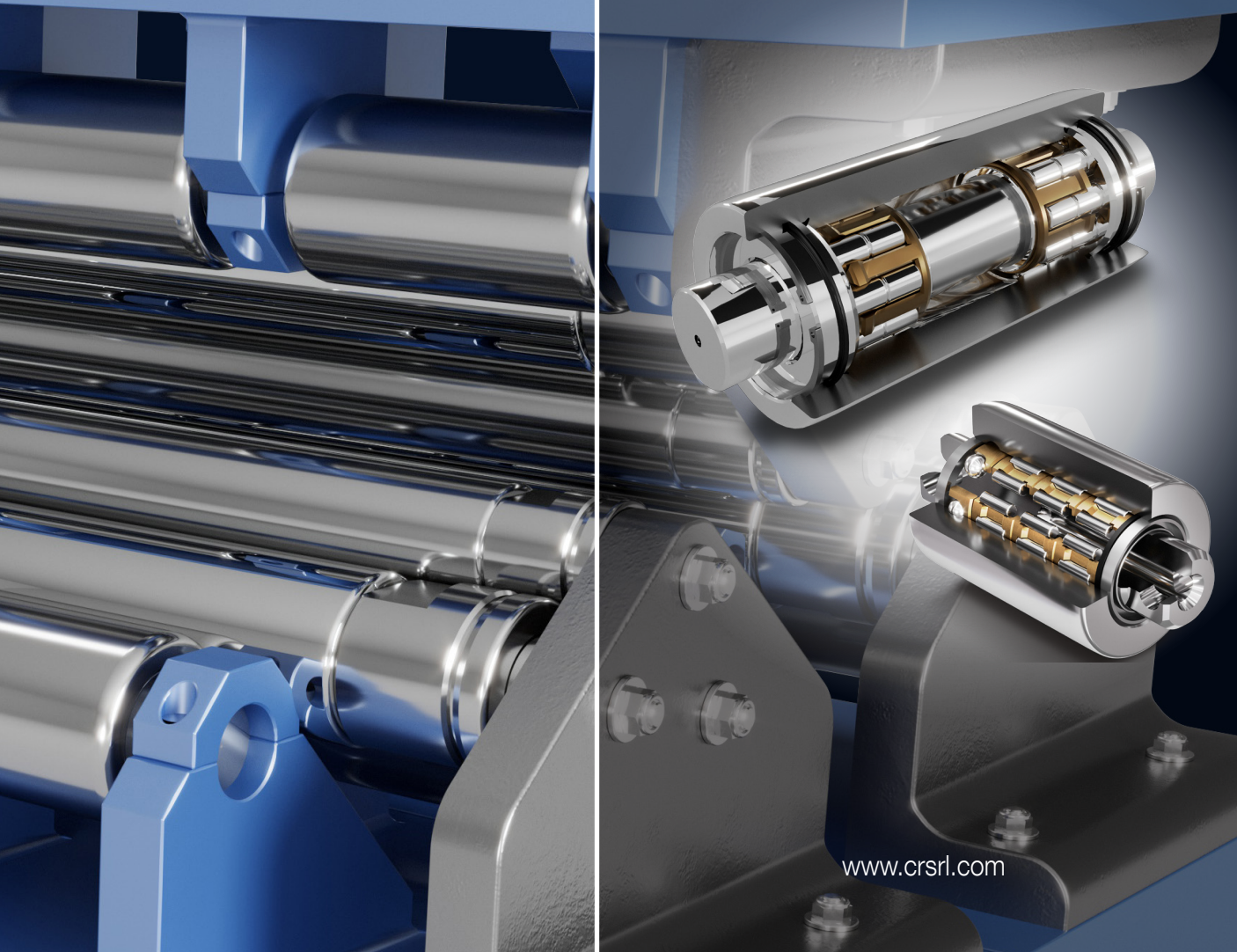


Bearings

ADVANCED BEARING SOLUTIONS

TO PROVIDE  
HIGHLY QUALIFIED SOLUTIONS  
FOR STEEL & ALUMINUM MARKETS

## BACK-UP ROLLERS



C.R. is an Italian company, which was born in 1984, specialized in the project and manufacture of special bearings for different industrial applications.

C.R. manufactures special bearings according to the specific requests of the customers, with exclusive projects; furthermore, C.R. realizes perfectly interchangeable spare parts, following the customer drawings or samples.

C.R. offers a complete range of cylindrical roller bearings, both standard and custom-made, which are suitable for the heavy-duty working condition: high working load, frequent vibrations in high contaminant areas.

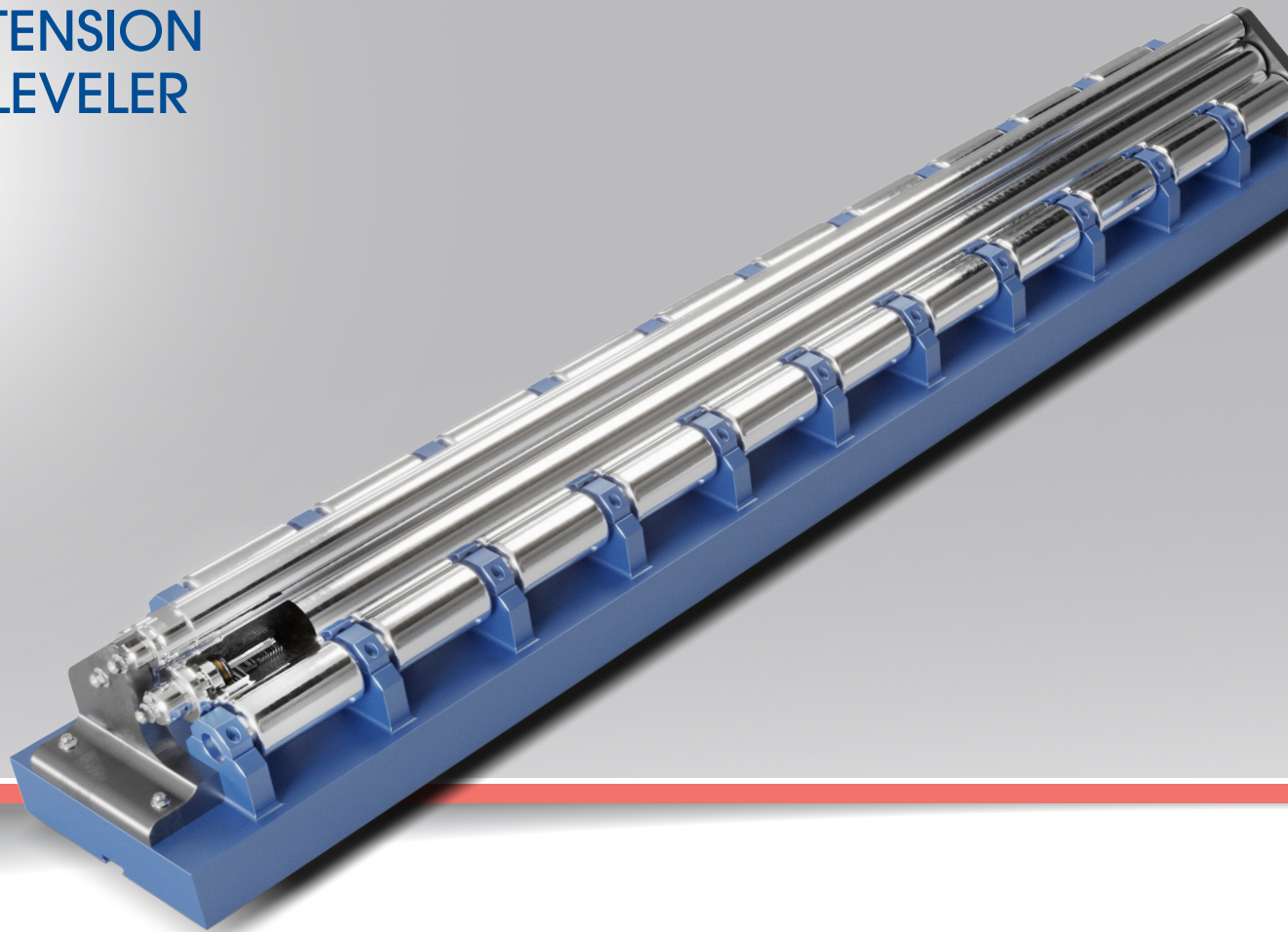
C.R. is structured to obtain the maximum flexibility and the maximum possibility to customize the bearings; the company has a prominent position both in worldwide steel field and in the handling field, not only by offering the production of a specific project, but also by creating the most advanced solutions, which provide better performance levels that increase the machine productivity.

[www.crsrl.com](http://www.crsrl.com)

Company with Quality Management System  
Certified ISO 9001. Cert. N. 50 100 15634

# TENSION LEVELER

## WORK AND BACK-UP ROLLS



## BACK-UP ROLLERS



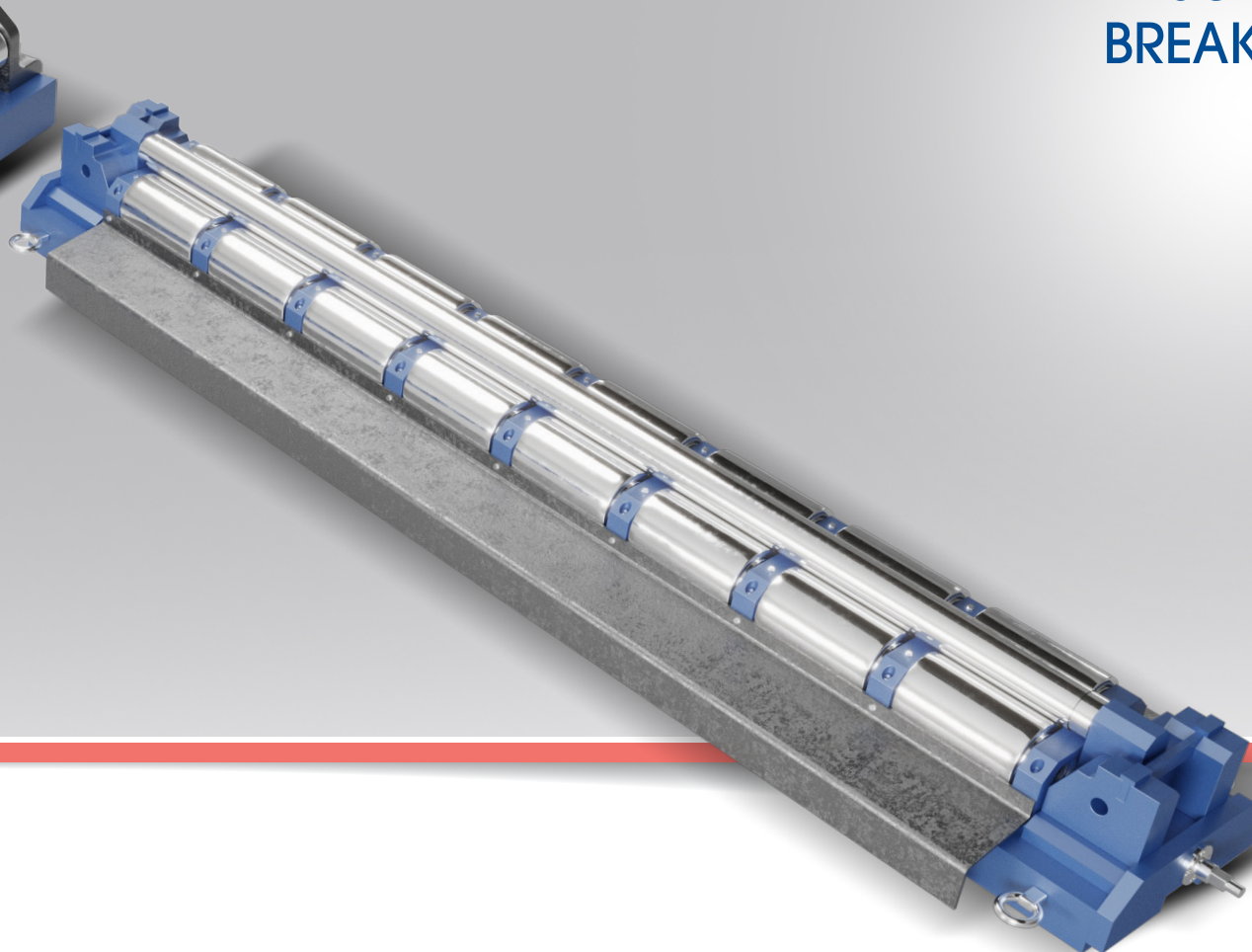
The bearings for tension levelers are considered back-up bearings. Compared to the ones used in the leveler/flattening machines, these back-up bearings must handle higher speeds. CR has developed and produced them with both radial and axial cages, according to the different types of execution.

The axial bearings that are used on the necks of the flattening work rolls support both axial load – which is transmitted by the work rolls – thanks to an axial ball, and radial load generated by the yielding of the steel sheet, thanks to the roller/needle cages.

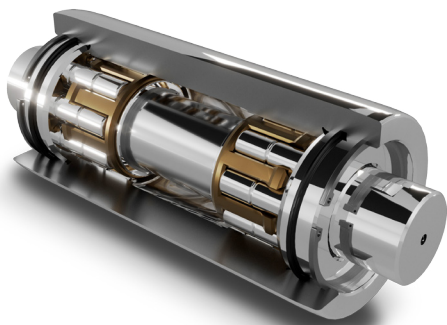
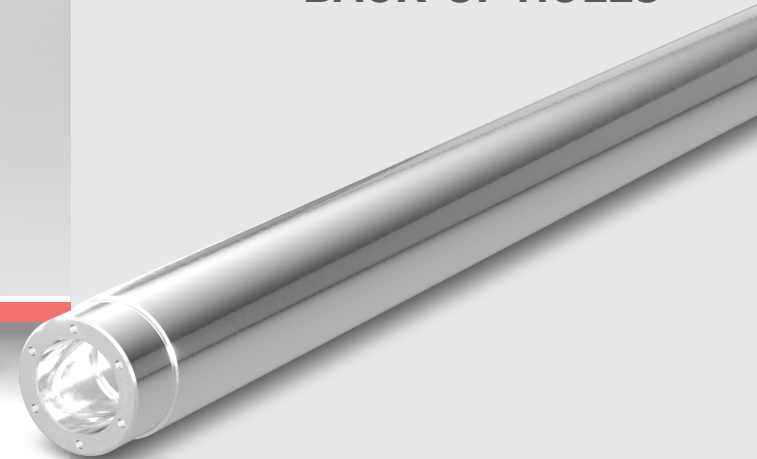
DIAMETERS	from 0.60 in. to 4 in.
LENGTHS	from 40 in. to 100 in.
MAINLY USED STEEL GRADES	100Cr6 (W 1.3505) 58CrMoV4 (W 1.7792) 51CrMoV4 (W 1.7701) 50CrMo4 (W 1.7228) 50CrV4 (W 1.8159)

# SCALE BREAKER

**bsc** BEARING SERVICE COMPANY  
BEARING MANUFACTURING & REPAIR  
INDUSTRIAL DISTRIBUTION



## WORK AND BACK-UP ROLLS



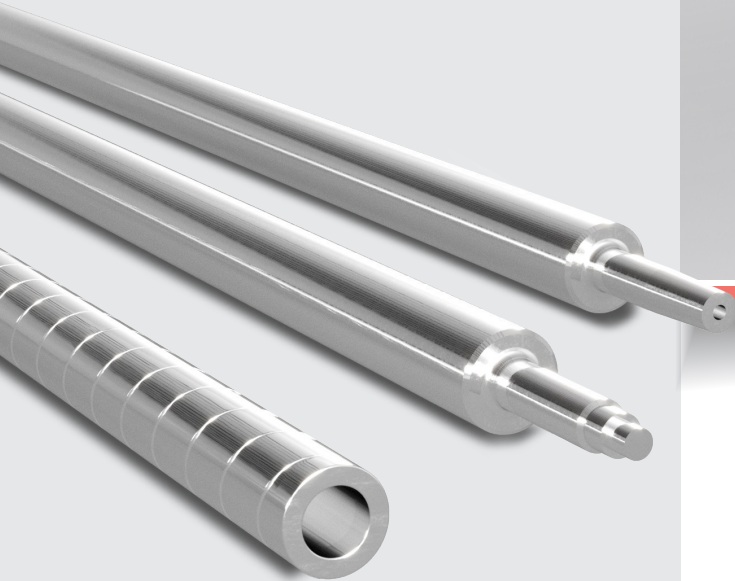
BACKUP ROLLER WITH SHAFT



THRUST BEARING

DIAMETERS	from 1.5 in. to 3.5 in.
LENGTHS	from 40 in. to 100 in.
MAINLY USED STEEL GRADES	X155CrVMo12.1 (W 1.2379) 100Cr6 (W 1.3505) 58CrMoV4 (W 1.7792) 51CrMoV4 (W 1.7701) 50CrMo4 (W 1.7228) 50CrV4 (W 1.8159)

## WORK AND BACK-UP ROLLS

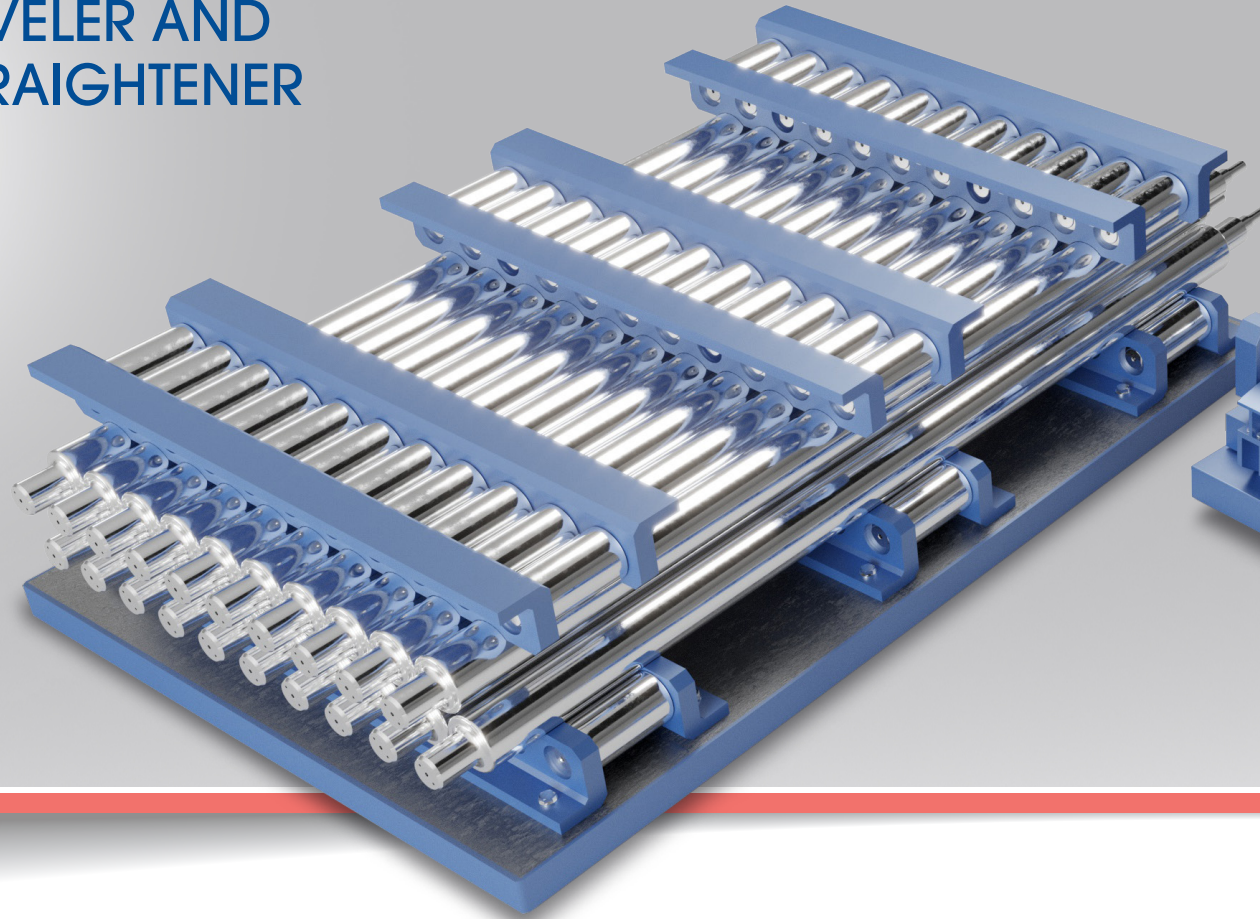


DIAMETERS from 0.80 in. to 12 in.

LENGTHS from 40 in. to 160 in.

MAINLY USED STEEL GRADES  
86CrMoV7 (W 1.2327)  
100Cr6 (W 1.3505)  
58CrMoV4 (W 1.7792)  
51CrMoV4 (W 1.7701)  
50CrMo4 (W 1.7228)  
50CrV4 (W 1.8159)

## LEVELER AND STRAIGHTENER

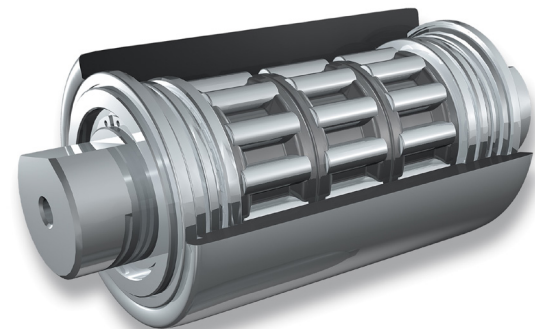


## BACK-UP ROLLERS

Back-up bearings for flattening and cold straightening machines are cylindrical roller bearings with a shaft, and are manufactured in two different styles:

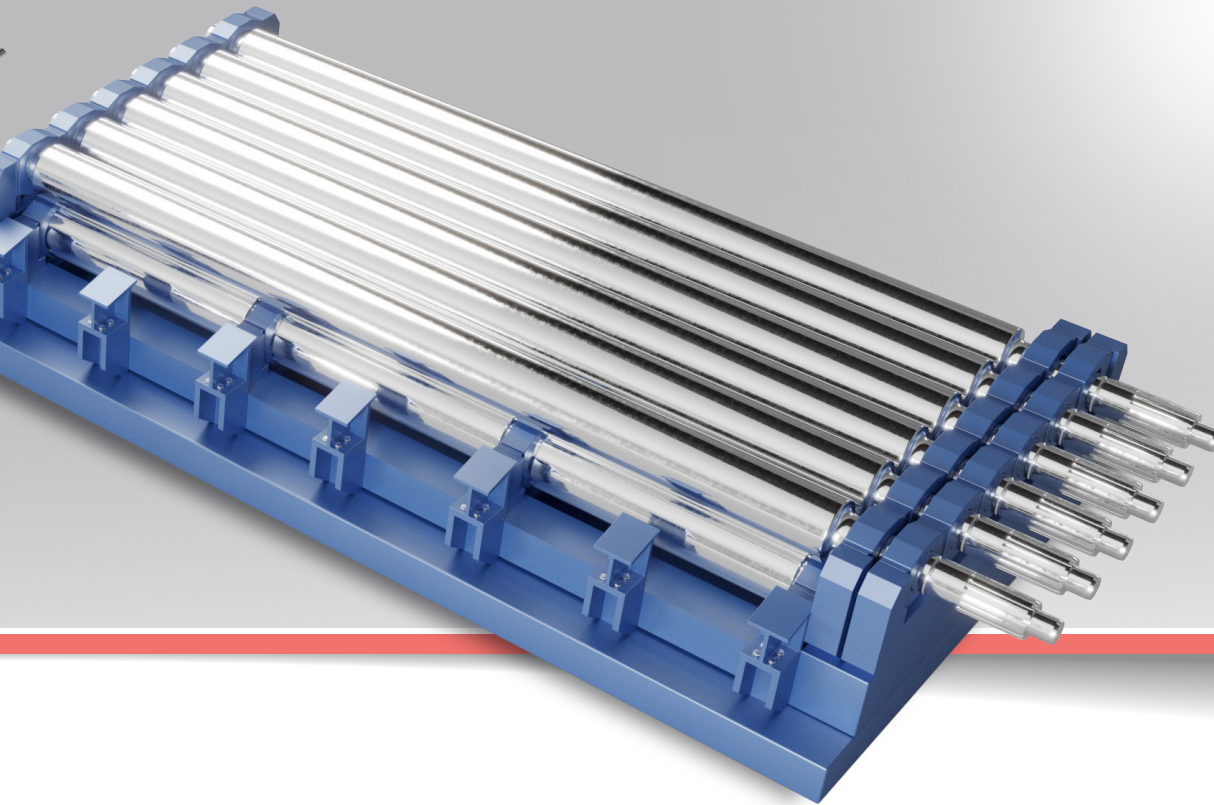
- Full complement of cylindrical rollers
- With roller cages in moulded steel or bronze.

As an alternative, single back-up rollers without shaft, with cylindrical rollers, tapered rollers, or spherical rollers can be provided, mainly when they have to work in heavy duty/load condition.



BACK-UP ROLLER  
WITH SHAFT

# COLD PLATE LEVELER



**bsc** BEARING SERVICE COMPANY  
BEARING MANUFACTURING & REPAIR  
INDUSTRIAL DISTRIBUTION



## WORK AND BACK-UP ROLLS



BACK-UP WITH  
CYLINDRICAL ROLLERS



BACK-UP WITH  
TAPERED ROLLERS

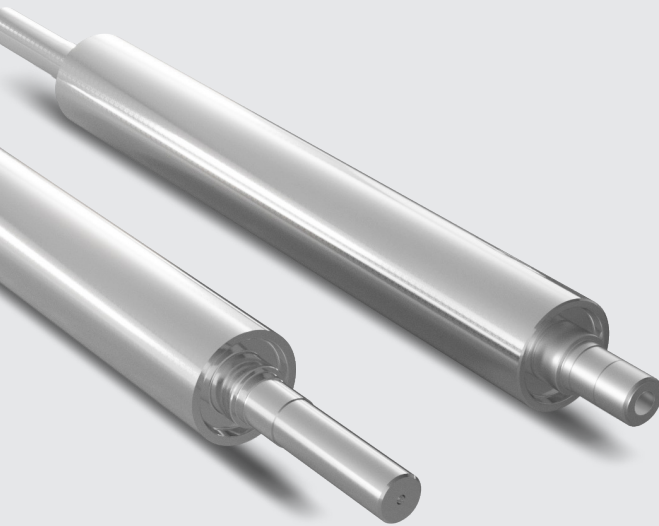


BACK-UP WITH  
SPHERICAL ROLLERS

DIAMETERS	from 7 in. to 16 in.
LENGTHS	from 130 in. to 240 in.
MAINLY USED STEEL GRADES	X63CrMoV5.1 (W 1.2362) 86CrMoV7 (W 1.2327) 50CrMo4 (W 1.7228)

# HOT PLATE LEVELER

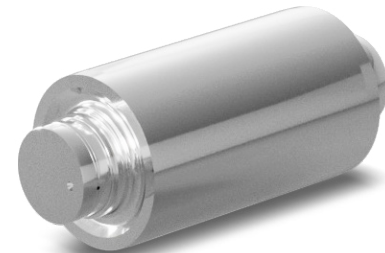
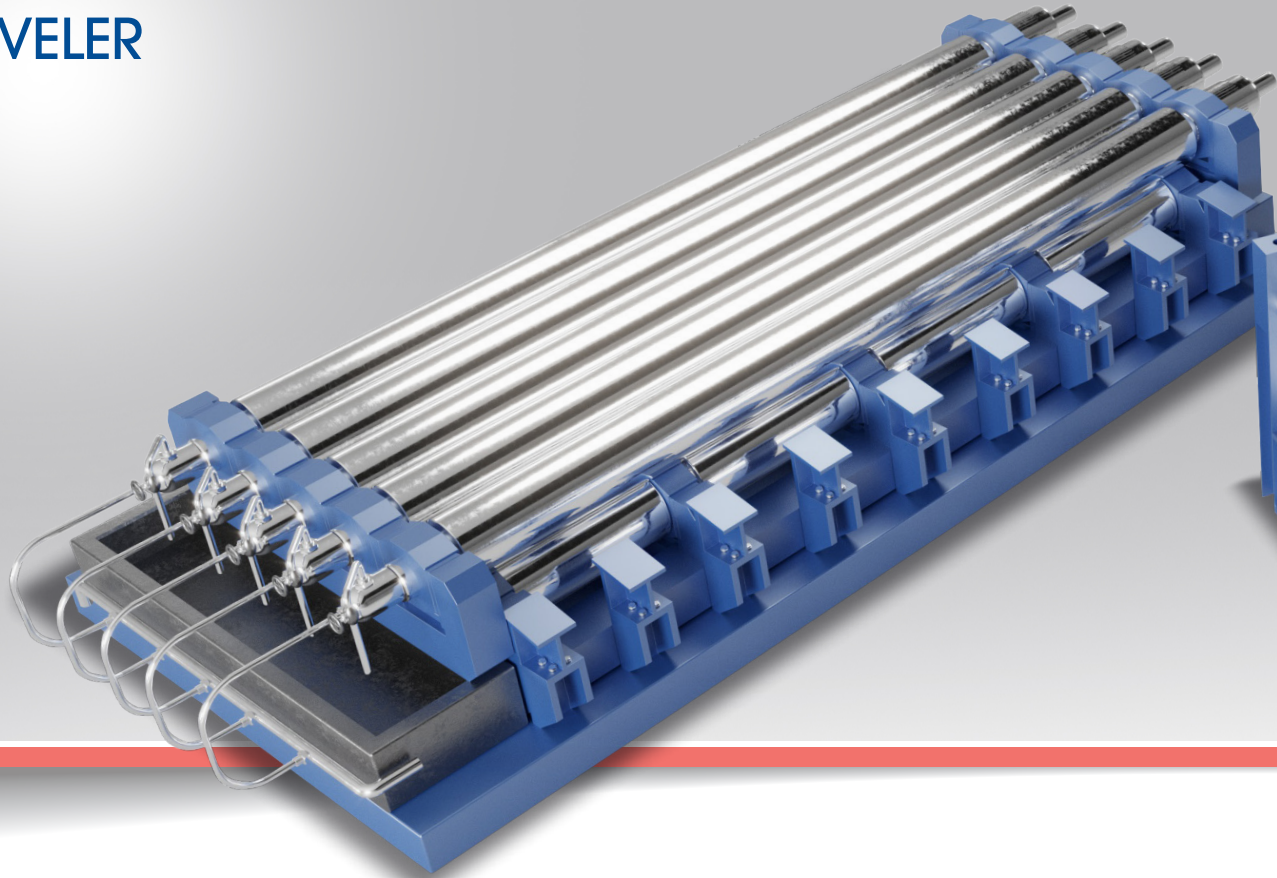
## WORK AND BACK-UP ROLLS



DIAMETERS from 8.5 in. to 20 in.

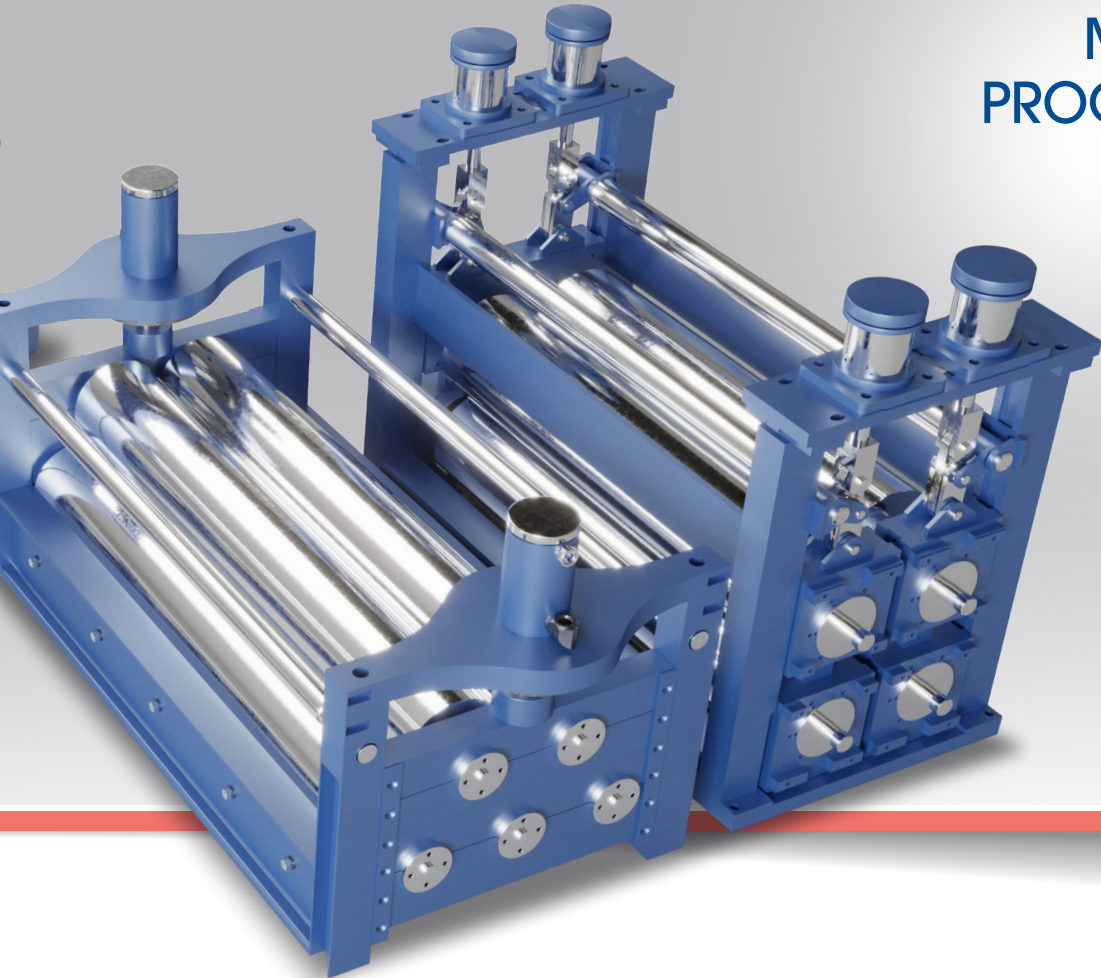
LENGTHS from 150 in. to 240 in.

MAINLY USED STEEL GRADES  
X63CrMoV5.1 (W 1.2362)  
X40CrMoV5.1 (W 1.2344)  
X38CrMoV5.1 (W 1.2343)  
56NiCrMoV7 (W 1.2714)



SOLID  
BACK-UP ROLLS

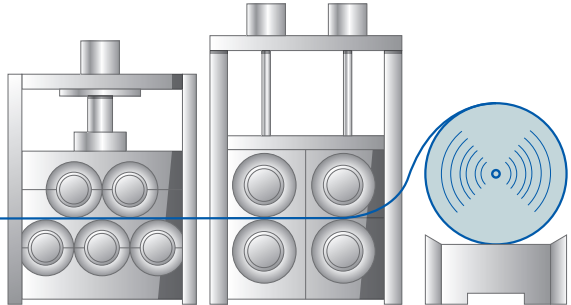
# MC KAY PROCESSOR



**bsc** BEARING SERVICE COMPANY  
BEARING MANUFACTURING & REPAIR  
INDUSTRIAL DISTRIBUTION



## PINCH AND STRAIGHTENING ROLLS



5 STRAIGHTENING  
ROLLS

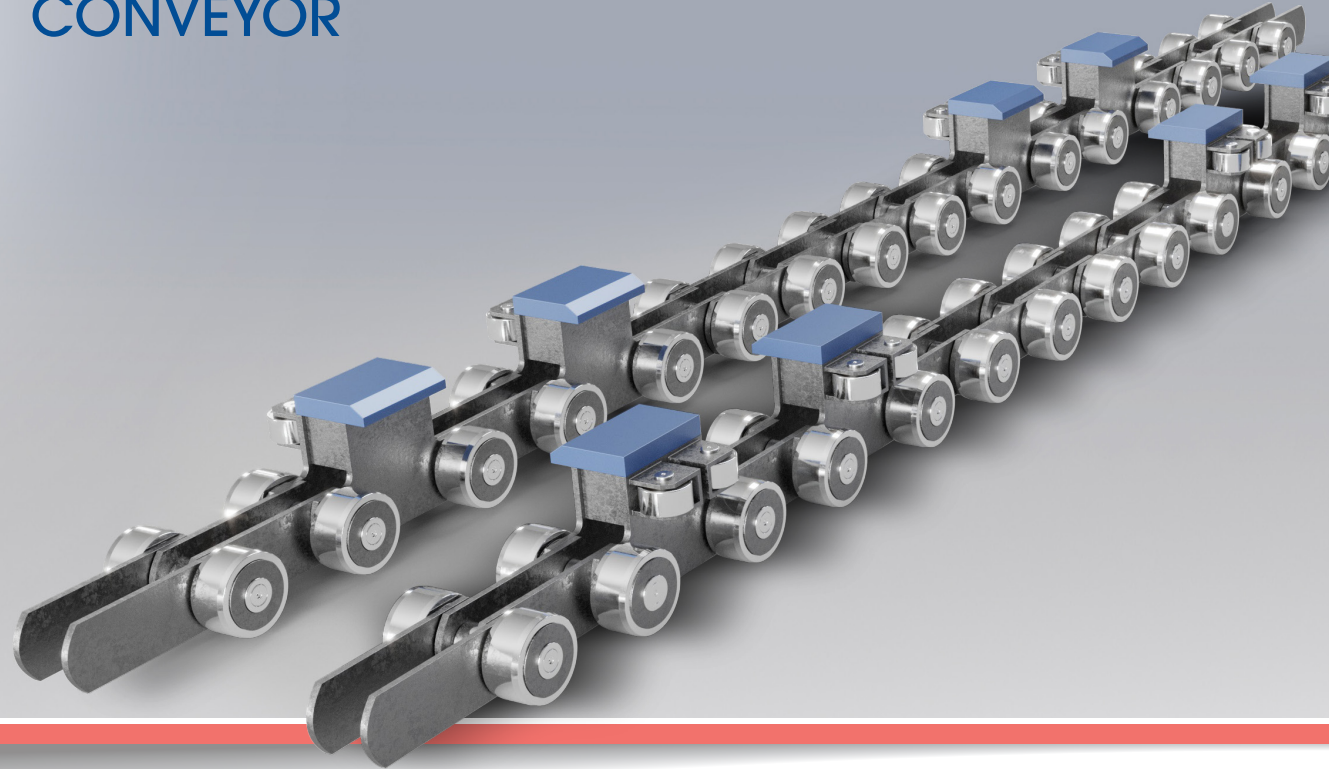
4 PINCH  
ROLLS

DIAMETERS 12 in. (4 ROLLS)  
8 in. (5 ROLLS)

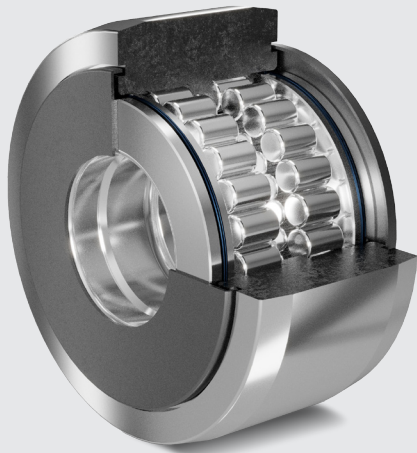
LENGTHS from 60 in. to 140 in.

MAINLY USED X155CrVMo12.1 (W 1.2379)  
STEEL GRADES 86CrMoV7 (W 1.2327)  
100Cr6 (W 1.3505)  
50CrMo4 (W 1.7228)  
50CrV4 (W 1.8159)

# COILS CONVEYOR

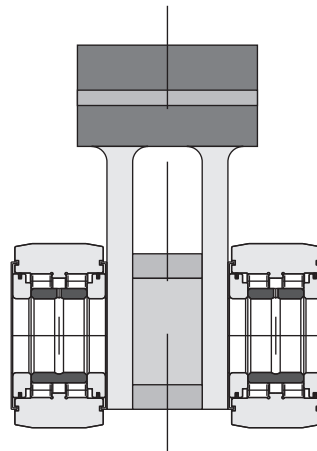


## WHEELS



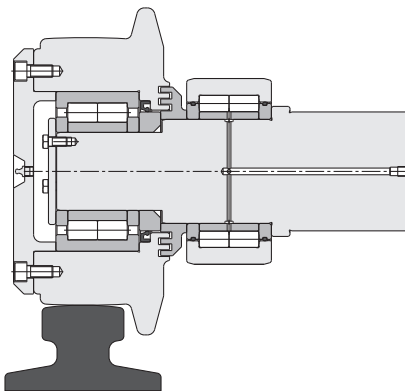
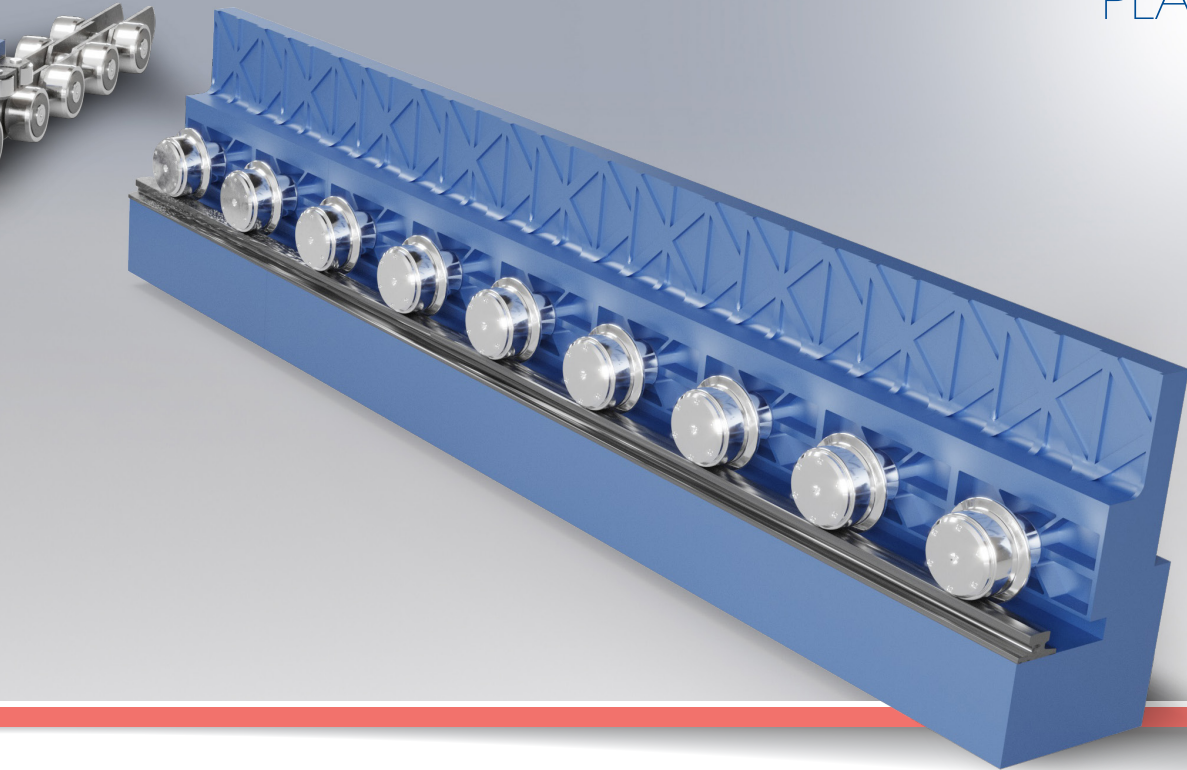
The execution with cylindrical rollers is particularly suitable for high radial loads when axial stress is involved, which is due to the shape and the length of the belt.

As the path of transportation is not linear, variations of directions of the applied load should be foreseen.





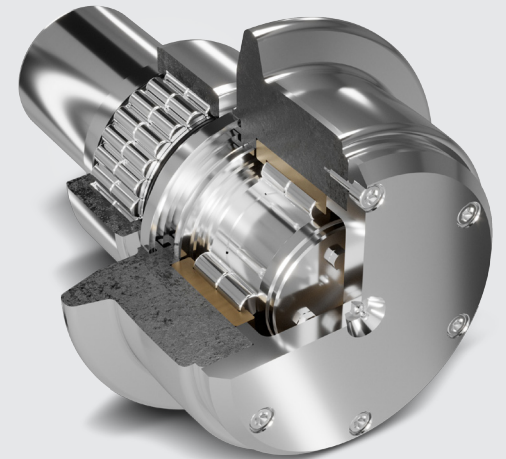
# SINTERING PLANTS



**bsc** BEARING SERVICE COMPANY  
BEARING MANUFACTURING & REPAIR  
INDUSTRIAL DISTRIBUTION



## PRESSURE ROLLERS



Inside the sintering line, the load applied is very high, dust and high temperature contribute to determine the worst possible working condition.

C.R. has developed a series of bearings suitable to work under extremely heavy and difficult conditions.



BEARING SERVICE CO.  
630 Alpha Drive  
Pittsburgh, PA 15238

[www.bearing-service.com](http://www.bearing-service.com)



COMESA SRL  
Via Brini, 36/A  
40128 Bologna - Italy

[www.comesa-it.com](http://www.comesa-it.com)



C.R. CUSCINETTI A RULLI SRL  
Via S. Pertini, 6/8 (Z.I.)  
26845 Codogno (LODI) - Italy

[www.crsrl.com](http://www.crsrl.com)

Copyright 2023 ©  
United States Council  
for International Business.  
All Rights Reserved.

[www.bearing-service-rolls.com](http://www.bearing-service-rolls.com)

**bsc** BEARING SERVICE COMPANY  
BEARING MANUFACTURING & REPAIR  
INDUSTRIAL DISTRIBUTION

